

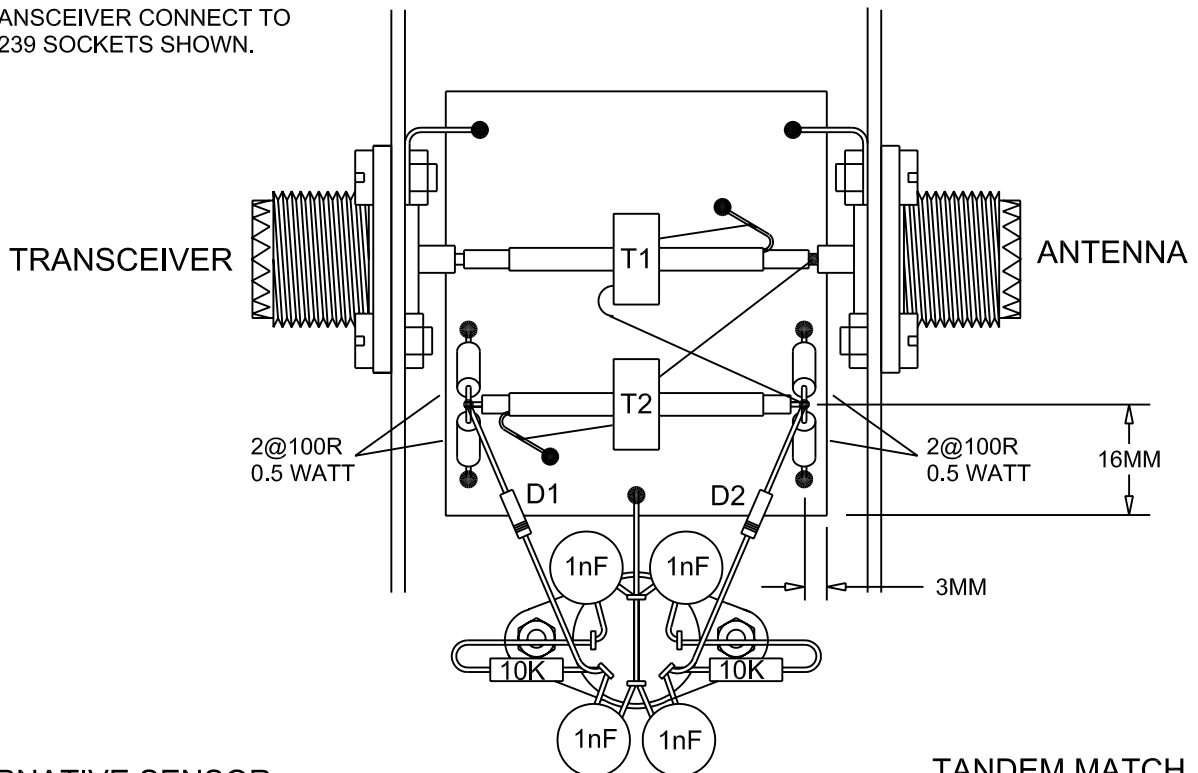
**STOCKTON BRIDGE**  
EXCELLENT RESULTS 1.6- 30 MHz

T1/T2 SECONDARIES.....  
250 WATT UNIT 16 TURNS  
500 WATT UNIT 22 TURNS  
1200 WATT UNIT 30 TURNS  
OF 0.4MM DIA. ENAMELLED  
COPPER WIRE ON FT50-43  
CORE

D1/D2 1N5711

NOTES

CONNECT DC BRIDGE OUTPUTS  
TO MAIN PCB SO THAT ANTENNA  
AND TRANSCEIVER CONNECT TO  
THE SO239 SOCKETS SHOWN.



**TANDEM MATCH**  
GOOD RESULTS 1.6 - 50 MHz

ALTERNATIVE SENSOR  
HEAD CONSTRUCTION